



Tecumseh

R290 PROPANE

NATURAL REFRIGERANT

R290

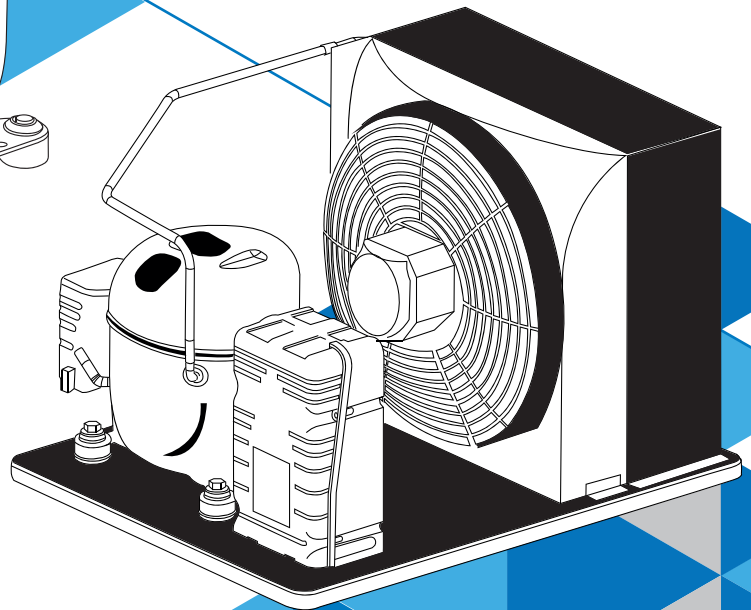
VTC

AJ

AE

TC

HG



 High efficiency

 Good performances

 Long term solution

Cooling for a Better Tomorrow™

R290 PROPANE

NATURAL REFRIGERANT

R290

TECUMSEH's commitments to the planet and facilitating the energy transition are strong and concrete. Historically, the company has developed innovative solutions to effectively reduce carbon dioxide emissions and promoted the use of low-GWP refrigerants. Our offers are eco-friendly and meet the high requirements of the eco design directive UE2015-1095.

European regulation F-gas 517/2014 defined the CO₂ emission reduction volumes; it drastically reduces the use of HFCs (hydrofluorocarbons) since 2015 with an accentuated decrease from 2018. Standards EN60335-2 and EN 378 defines safety and environmental requirements. The switchover to fluids with GWP < 150 offers Tecumseh a further reason to innovate and improve its proposal for technical solutions.

R290, natural refrigerant, is a long term solution. It allows a proven reduction of energy consumption of refrigeration systems compared to traditional refrigerants. Due to better thermal properties, it has higher energy efficiency when compared to R404A, R134a. The tests carried out show a significant decrease in the refrigerant charge required for the operation of the installation. It is a natural continuity of the solutions for direct relaxation for the refrigeration housed groups.

For several months, Tecumseh has been working to validate a complete offer with R290 in commercial refrigeration. This brochure is the results of it. The ranges presented meet the criteria of safety, performance, economy, reliability and respect of the environment you are expecting from the Tecumseh.

► CONVERSION TABLES

Conversion Examples from R404A to R290 (50Hz) - LBP & LMBP applications EN12900

Evaporating temp. -35°C, condensing temp. 40°C, return gas temp. 20°C, subcooling 0K

COMPRESSOR	AE2410Z-FZ	AE2415Z-FZ	AE2425Z-FZ	CAJ2464Z-FZ	CAJ2464Z-FZ
from...	120 W	194 W	329 W	627 W	828 W
R404A	0.77 COP	0.90 COP	1.02 COP	1.04 COP	0.98 COP
	↓	↓	↓	↓	↓
COMPRESSOR	TCW380U-GS	TCW413U-GS	AEX428U-FZ	CAJ2446U-FZ	CAJ2464U-FZ
to...	121 W	203 W	347 W	586 W	827 W
R290	0.95 COP	1.18 COP	1.15 COP	1.12 COP	1.16 COP

Conversion Examples from R134a and R404A to R290 (50Hz) - MBP applications EN12900

Evaporating temp. -10°C, condensing temp. 50°C, return gas temp. 20°C, subcooling 0K

COMPRESSOR	AE4440Y-FZ	AE4450Y-FZ	AE4460Y-FZ	CAJ4513Y-FZ
from...	471 W	619 W	689 W	1453 W
R134a	1.51 COP	1.62 COP	1.52 COP	1.68 COP
	↓	↓	↓	↓
COMPRESSOR	AE4440Z-FZ	AE4450Z-FZ	AE4460Z-FZ	CAJ9510Z-FZ
from...	486 W	642 W	784 W	1289 W
R404A	1.37 COP	1.39 COP	1.43 COP	1.48 COP
	↓	↓	↓	↓
COMPRESSOR	TC4430U-FZ	AE4450U-FZ	AE4460U-FZ	CAJ4513U-FZ
to...	471 W	688 W	738 W	1478 W
R290	1.93 COP	1.62 COP	1.5 COP	1.65 COP

► THE RANGE

R290 RANGE



TC
Reciprocating,
Light commercial application
High efficiency



VTC
Reciprocating,
Light commercial application
Variable speed



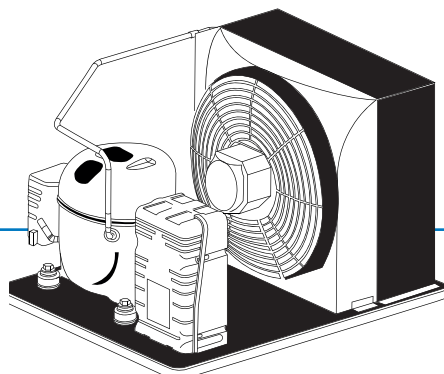
AE
Reciprocating,
Commercial application



AJ
Reciprocating
Commercial application
Useable with any application type



HG
Rotary
Commercial application
High efficiency



**Traditional
Condensing Units**

▶ APPLICATIONS CASE STUDIES

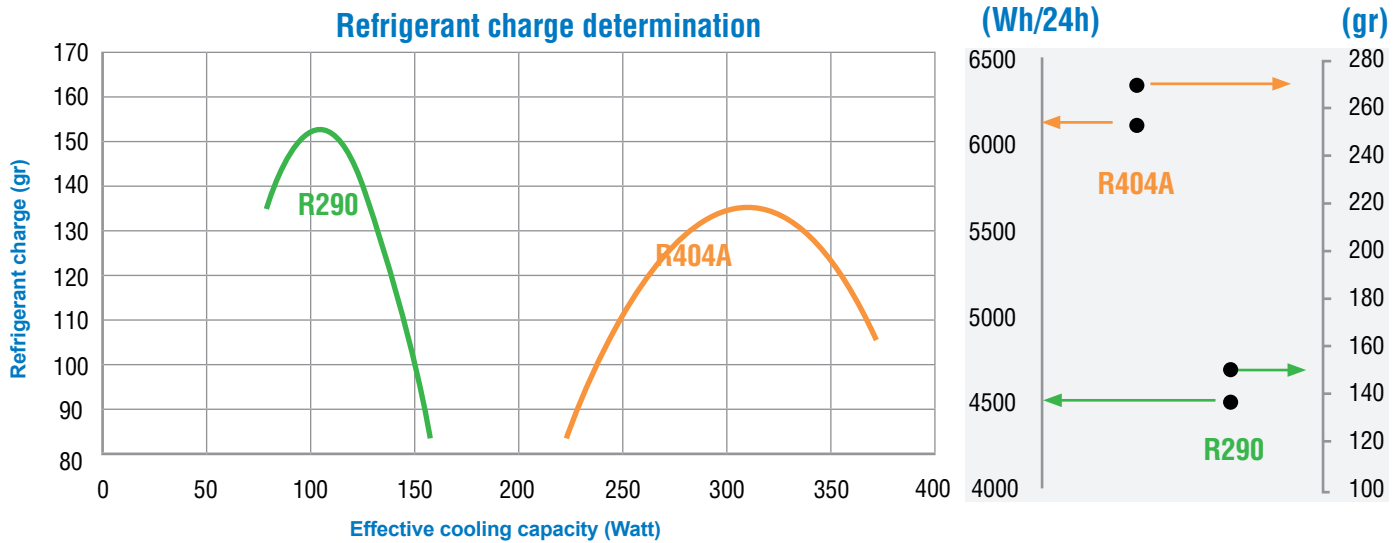
NEGATIVE TEMP - REACH IN CABINET

- ▶ *Internal volume = 570 L*
- ▶ *Measurements carried out with hermetic compressors*
- ▶ *R290 compresor, model AE2420U-FZ*

The cabinet was retrofitted-adapted to the R290 refrigerant. The originally R404A competitor compressor is replaced by an optimized R290 compressor: AE2420U-FZ. The capillary tube and the refrigerant charge are optimized. Heat exchangers and the boiler are unchanged.

Thanks to the R290 properties and to the compressor characteristics:

- ▶ The end user saves **26,3% of energy cost**
- ▶ **The cabinet cooling capacity and the pull down duration are unchanged**
- ▶ The R290 charge is **45% lower than the R404A one** thanks to its R290 density.



POSITIVE TEMP – ICE MACHINE

- ▶ *24 Kg/day*
- ▶ *Measurements carried out with hermetic compressors at ambient air and water temperatures 30°C/15°C or 15°C/10°C*
- ▶ *TC4425U-GS running R290*

The ice cube maker was retrofitted - adapted to the R290 refrigerant. The originally R404A competitor compressor is replaced by an optimized R290 compressor: TC4425U-GS. The capillary tube and the refrigerant charge are optimized.

Heat exchangers are unchanged.

Thanks to the R290 properties and to the compressor characteristics

- ▶ The ice cube production increases by **6%**
- ▶ The application energy consumption reduces by **4%**

The R290 charge is **42% lower** than R404A thanks to its R290 density.



R290 REFRIGERANT CHARGE	ICE PRODUCTION (KG/DAY)
59	19.8
68	20.7
73	21.2
78	20.5

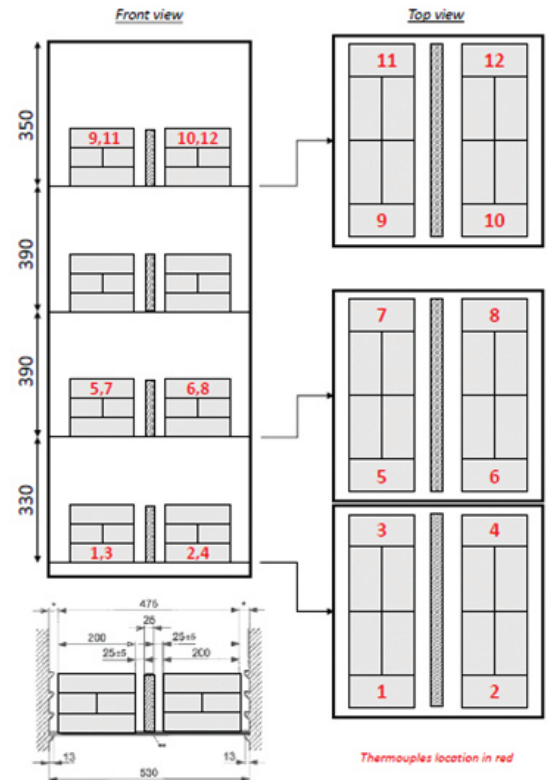
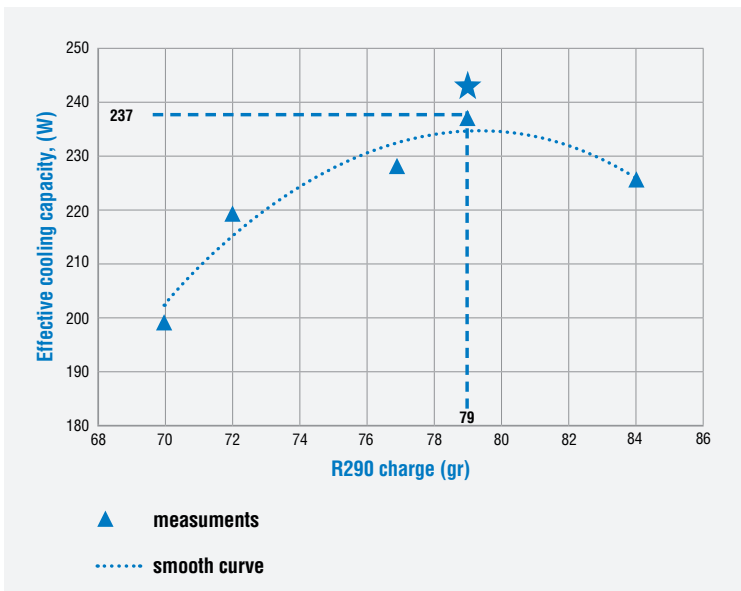
NEGATIVE TEMP - REACH IN CABINET

- ▶ *Internal volume = 560 L*
- ▶ *Measurements carried out with hermetic compressors.*
- ▶ *R290 compressor, model AEX433U-FZ*

The originally R290 competitor compressor is replaced by an optimized compressor: AEX433U-FZ. The capillary tube, the refrigerant charge, the heat exchangers and the boilers are unchanged.

Thanks to the new AEX compressor characteristics:

- ▶ The end user saves **3% of energy cost**
- ▶ **The cabinet cooling capacity and the pull down duration are unchanged**



► COMPRESSOR MODEL NOMENCLATURE

C AJ 4 5 18 U - FZ

Tension

AA	115V 1~ 60Hz
FZ	220-240V 1~ 50Hz
HZ	208-220V 1~ 60Hz
XA	100V 1~ 50Hz / 115V 1~ 60Hz
DS	115-127V 1~ 60Hz
GS	220V 1~ 50/60Hz

U = R290

Cooling capacity

Corresponding to the two first figures of the cooling capacity expressed in BTU/h.
In this example total digits 5, with cooling capacity 18 means 18000 BTU/h at 60Hz

Number of digits composing the cooling capacity

Primary application Parameters

2 = Low / -23.3°C T evap. / +54.5°C T cond. / +32°C RG / +32°C Liquid / Motor starting High

4 = High / +7.2°C T evap / +54.5°C T cond. / +35°C RG / +35°C Liquid / Motor starting High

W, X = Low Medium / -23.3°C T evap. / +54.5°C T cond. / +32°C RG / +32°C Liquid / Motor starting High

Product range: AJ, AE, HG, TC (compressor family - first two digits)

No letter = single-phase starting torque

C = single-phase high starting torque

T = three-phase

► VTC COMPRESSOR MODEL NOMENCLATURE

VTC X 4 15 U - MD 5 C

Release Variant - C. Cu (Cuprum)

Inverter Control - 5. Inverter Driven

Voltage (V/RPM) - MD. 250 / 2500 - 4500

Refrigerant - U. R290

Cooling capacity

Corresponding to the two first figures of the cooling capacity (BTU/h).
In this example total digits 4, with cooling capacity 15 means 1500 BTU/h at 3600 rpm

Number of digits composing the cooling capacity

Cooling Capacity - X. L/MBP : -35°C to -5°C

Compressor Family (First 3 digits) : **VTC**

► CONDENSING UNITS MODEL NOMENCLATURE

AE 4 4 25 U H

H = High suction pressure (-15°C to + 15°C)
B = Low pressure (-40°C to -10°C)
M = Medium and high suction pressure (-25°C to +15°C)

U = R290

Cooling capacity

Corresponding to the two first figures of the cooling capacity expressed in BTU/h. In this example total digits 4, with cooling capacity 25 means 2500 BTU/h at 60Hz

Number of digits composing the cooling capacity

Primary application Parameters

2 = Low / -23.3°C T evap. / +54.5°C T cond. / +32°C RG / +32°C Liquid / Motor starting High

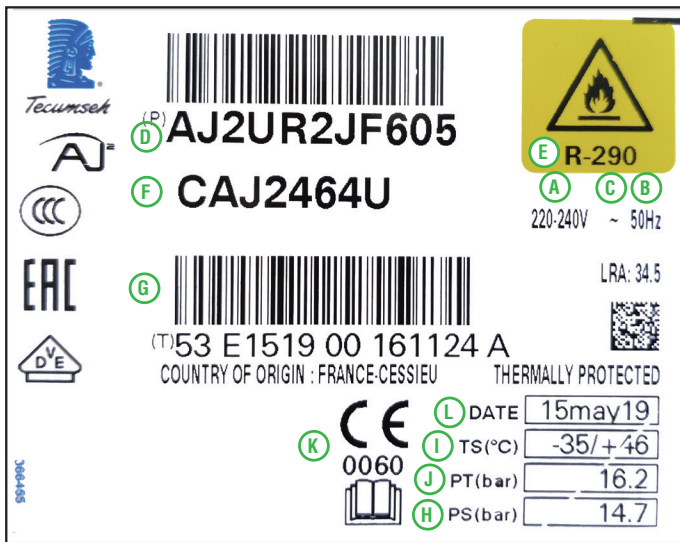
4 = High / +7.2°C T evap / +54.5°C T cond. / +35°C RG / +35°C Liquid / Motor starting High

Product range: AE (compressor family - first two digits)

Compressors or units supplied with oil under nitrogen pressure with suspension clearances.

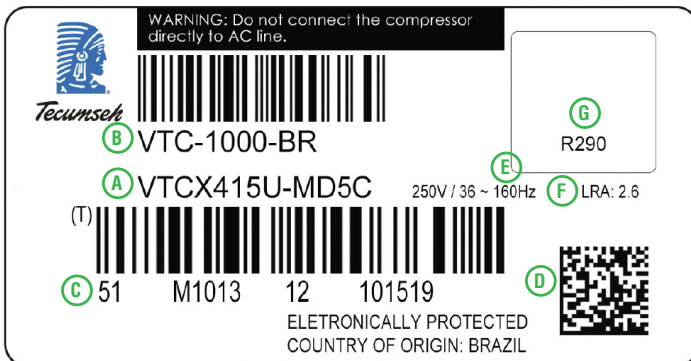


► SERIAL LABEL



REFERENCE	DESIGNATION
A	Voltage
B	Frequency
C	Phase number
D	Bill of material number
E	Refrigerant
F	Model number
G	Serial number
H	Maximum allowable pressure
I	Minimum and maximum temperature
J	Test pressure 1.1* Ps
K	Registration number of the notified body
L	Test date

► VTC COMPRESSOR LABEL



REFERENCE	DESIGNATION
A	Compressor Model Code
B	Bill of Materials Code (BOM)
C	Serial Number
D	2D Code
E	Nominal Voltage and Frequency
F	LRA - Locked Rotor Current
G	Refrigerant



▶ TC



LBP / LMBP

MODEL NUMBER	DIS-PLACEMENT cm ³	MOTOR	COOLING CAPACITY (W) 40° cond., 10K superheating, 3K subcooling							PERFORMANCES: EN12900 (-35°C / 40°C / RG 20°C / SC 0K)		Diam. for tubing O.D. (mm/inches)			Voltage available	Weight (kg)	Height (mm)
			Evaporation temperature (°C):							QPF (W)	COP (W/W)	Suction	Discharge	Process			
			-35°	-30°	-25°	-20°	-15°	-10°	-5°								
TCW330U	1.83	CSIR	46	60	78	99	125	155	191	53	1.02	6.35 - 1/4"	4.76 - 3/16"	6.35 - 1/4"	GS	8.3	168
TCW350U	2.72	CSIR	68	89	114	145	183	227	279	77	1.09	6.35 - 1/4"	4.76 - 3/16"	6.35 - 1/4"	GS	8.3	168
TCW360U	3.14	CSIR	79	103	134	170	214	266	327	85	1.01	6.35 - 1/4"	4.76 - 3/16"	6.35 - 1/4"	GS	8.5	168
TCW380U	4.19	CSIR	105	138	179	227	286	355	437	121	0.95	6.35 - 1/4"	4.76 - 3/16"	6.35 - 1/4"	GS	8.5	168
TCW390U	4.75	CSIR	126	158	202	257	324	401	487	144	1.24	6.35 - 1/4"	4.76 - 3/16"	6.35 - 1/4"	GS	8.5	168
TCW410U	6.06	CSIR	145	190	244	310	388	481	590	166	1.19	6.35 - 1/4"	4.76 - 3/16"	6.35 - 1/4"	GS	8.5	168
TCW413U	6.93	CSIR	177	231	296	374	467	578	709	203	1.18	6.35 - 1/4"	4.76 - 3/16"	6.35 - 1/4"	GS	8.6	168
TCX415U	7.84	CSIR	185	241	309	393	495	622	778	213	1.01	6.35 - 1/4"	4.76 - 3/16"	6.35 - 1/4"	GS	8.6	168

HBP

MODEL NUMBER	DIS-PLACEMENT cm ³	MOTOR	COOLING CAPACITY (W) 45° cond., 10K superheating, 3K subcooling							PERFORMANCES: EN12900 (-10°C / 50°C / RG 20°C / SC 0K)		Diam. for tubing O.D. (mm/inches)			Voltage available	Weight (kg)	Height (mm)
			Evaporation temperature (°C):							QPF (W)	COP (W/W)	Suction	Discharge	Process			
			-15°	-10°	-5°	0°	5°	10°	15°								
TC4425U	4.75	CSIR	298	371	456	555	671	807	963	370	1.95	6.35 - 1/4"	4.76 - 3/16"	6.35 - 1/4"	GS	8.5	168
TC4430U	6.06	CSIR	380	473	582	708	856	1029	1229	471	1.93	6.35 - 1/4"	4.76 - 3/16"	6.35 - 1/4"	FZ	8.5	168
TC4440U	7.84	CSIR	440	547	675	828	1006	1212	1448	533	1.53	6.35 - 1/4"	4.76 - 3/16"	6.35 - 1/4"	FZ	8.5	168





LMBP											
MODEL NUMBER	DISPLACEMENT cm ³	MOTOR	COOLING CAPACITY (W) EN12900: Ambient 32°C, suction gas 20°C, subcooling DK			Diam. for tubing O.D. (mm/inches)			Voltage available	Weight (kg)	Height (mm)
			Evaporation temperature (°C):			Suction	Discharge	Process			
			speed (RPM)	-35° / 40°	-10° / 45°						
VTCX360U-MD5C	3.14	PMSM	2500	70	205	7.88/8.00mm 0.310/0.315in	6.99/7.12mm 0.275/0.280in	7.88/8.00mm 0.310/0.315in	115 - 240V	7.3	167.4
			3000	82	240						
			3500	102	293						
			4000	115	331						
			4500	126	379						
VTCX410U-MD5C	6.06	PMSM	2500	132	398	7.88/8.00mm 0.310/0.315in	6.99/7.12mm 0.275/0.280in	7.88/8.00mm 0.310/0.315in	115 - 240V	7.45	167.4
			3000	155	462						
			3500	194	563						
			4000	218	635						
			4500	233	717						
VTCX415U-MD5C	7.84	PMSM	2500	172	501	7.88/8.00mm 0.310/0.315in	6.99/7.12mm 0.275/0.280in	7.88/8.00mm 0.310/0.315in	115 - 240V	7.45	167.4
			3000	220	613						
			3500	247	724						
			4000	260	798						
			4500	288	907						
VTCX419U-MD5C	9.74	PMSM	2000	164	501	7.88/8.00mm 0.310/0.315in	6.99/7.12mm 0.275/0.280in	7.88/8.00mm 0.310/0.315in	180 - 240V	7.96	167.4
			2500	218	627						
			3000	264	752						
			3500	308	900						
			4000	331	999						
VTCX424U-MD5C	12.47	PMSM	2000	222	648	7.88/8.00mm 0.310/0.315in	6.99/7.12mm 0.275/0.280in	7.88/8.00mm 0.310/0.315in	180-240V	7.96	167.4
			2500	291	811						
			3000	349	967						
			3500	410	1150						
			4000	448	1275						
			4500	498	1435						



► AE



LBP / LMBP

MODEL NUMBER	DIS-PLACE-MENT cm ³	MOTOR	COOLING CAPACITY (W) 40 ° cond., 10K superheating, 3K subcooling							PERFORMANCES: EN12900 (-35°C / 40°C / RG 20°C / SC 0K)		Diam. for tubing O.D. (mm/inches)			Voltage availa-ble	Weight (kg)	Height (mm)
			Evaporation temperature (°C):							QPF (W)	COP (W/W)	Suction	Discharge	Process			
			-35°	-30°	-25°	-20°	-15°	-10°	-5°								
AE2410U	5.48	CSIR	99	142	195	260	339	433	x	113	0.79	6.35 - 1/4"	4.76 - 3/16"	6.35 - 1/4"	FZ	10.5	210
AE2415U	8.85	CSIR	160	227	306	399	509	636	x	183	0.93	6.35 - 1/4"	4.76 - 3/16"	6.35 - 1/4"	FZ, AA	10.6	210
AE2420U	10.96	CSIR	238	317	410	522	654	808	x	274	1.04	9.5 - 3/8"	6.35 - 1/4"	6.35 - 1/4"	FZ	10.6	210
AEX424U	12.01	CSR	229	321	435	569	723	894	1082	264	0.96	9.5 - 3/8"	6.35 - 1/4"	6.35 - 1/4"	FZ	10.7	210
AEX428U	13.24	CSR	244	342	463	606	770	953	1153	281	0.95	9.5 - 3/8"	6.35 - 1/4"	6.35 - 1/4"	FZ, DS	10.7	210
AEX433U	15.09	CSR	282	394	535	699	888	1099	1330	324	0.94	9.5 - 3/8"	6.35 - 1/4"	6.35 - 1/4"	FZ	10.7	210

HBP

MODEL NUMBER	DIS-PLACE-MENT cm ³	MOTOR	COOLING CAPACITY (W) 45 ° amb., 10K superheating, 3K subcooling							PERFORMANCES: EN12900 (-10°C / 50°C / RG 20°C / SC 0K)		Diam. for tubing O.D. (mm/inches)			Voltage availa-ble	Weight (kg)	Height (mm)
			Evaporation temperature (°C):							QPF (W)	COP (W/W)	Suction	Discharge	Process			
			-15°	-10°	-5°	0°	5°	10°	15°								
AE4425U	5.02	CSIR	257	331	418	520	639	777	938	318	1.50	6.35 - 1/4"	4.76 - 3/16"	6.35 - 1/4"	FZ	10	200
AE4430U	6.12	CSIR	308	397	501	622	763	926	1116	382	1.54	6.35 - 1/4"	4.76 - 3/16"	6.35 - 1/4"	FZ	10.1	200
AE4440U	8.02	CSIR	416	525	654	807	986	1196	1441	508	1.58	9.5 - 3/8"	6.35 - 1/4"	6.35 - 1/4"	FZ	10.2	210
AE4450U	10.33	CSIR	565	709	879	1080	1316	1593	1916	688	1.62	9.5 - 3/8"	6.35 - 1/4"	6.35 - 1/4"	FZ	10.5	210
AE4460U	12.01	CSIR	592	765	968	1207	1488	1816	2197	738	1.50	9.5 - 3/8"	6.35 - 1/4"	6.35 - 1/4"	FZ	11.2	210

► AJ



LBP

MODEL NUMBER	DIS-PLACE-MENT cm ³	MOTOR	COOLING CAPACITY (W) 40 ° cond., 10K superheating, 3K subcooling							PERFORMANCES: EN12900 (-35°C / 40°C / RG 20°C / SC 0K)		Diam. for tubing O.D. (mm/inches)			Voltage availa-ble	Weight (kg)	Height (mm)
			Evaporation temperature (°C):							QPF (W)	COP (W/W)	Suction	Discharge	Process			
			-35°	-30°	-25°	-20°	-15°	-10°	-5°								
CAJ2446U	26.2	CSR	510	681	893	1155	1477	1870	x	586	1.12	12.7 - 1/2"	7.9 - 5/16"	6.35 - 1/4"	FZ, XA, HZ	22	268
CAJ2464U	34.5	CSR	720	990	1286	1619	2003	2450	x	827	1.16	12.7 - 1/2"	9.5 - 3/8"	6.35 - 1/4"	FZ, XA, HZ	23	268

HBP

MODEL NUMBER	DIS-PLACE-MENT cm ³	MOTOR	COOLING CAPACITY (W) 45 ° cond., 10K superheating, 3K subcooling							PERFORMANCES: EN12900 (-10°C / 50°C / RG 20°C / SC 0K)		Diam. for tubing O.D. (mm/inches)			Voltage availa-ble	Weight (kg)	Height (mm)
			Evaporation temperature (°C):							QPF (W)	COP (W/W)	Suction	Discharge	Process			
			-15°	-10°	-5°	0°	5°	10°	15°								
CAJ4513U	25.95	CSR	1181	1543	1984	2516	3151	3904	4787	1478	1,68	12,7 - 1/2"	7,9 - 5/16"	6,35 - 1/4"	FZ	21,9	280
CAJ4518U	34.45	CSR	1604	2128	2738	3449	4275	5234	6343	2034	1,59	12,7 - 1/2"	9,5 - 3/8"	6,35 - 1/4"	FZ	22,2	280

► HG

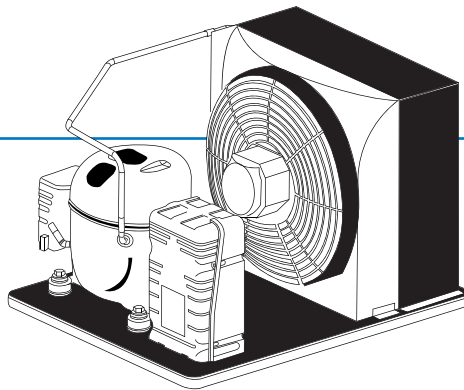


HG

HBP

MODEL NUMBER	DIS-PLACE-MENT cm ³	MOTOR	COOLING CAPACITY (W) 45° cond., 10K superheating, 3K subcooling							PERFORMANCES: EN12900 (10°C / 50°C / RG 20°C / SC 0K)		Diam. for tubing O.D. (mm/inches)			Voltage avail-able	Weight (kg)	Height (mm)
			Evaporation temperature (°C):							QPF (W)	COP (W/W)	Suction	Discharge	Process			
			-15°	-10°	-5°	0°	5°	10°	15°								
HG4467U	9.5	CSR	585	728	893	1085	1309	1568	1868	709	1.90	9.5 - 3/8"	7.9 - 5/16"	-	FZ	12	163
HG4492U	12.75	CSR	789	980	1202	1462	1765	2117	2525	955	1.97	12.7 - 1/2"	7.9 - 5/16"	-	FZ	12.5	163
HG4512U	16.12	CSR	1023	1263	1544	1873	2256	2702	3219	1235	1.99	12.7 - 1/2"	7.9 - 5/16"	-	FZ	13.2	163

► Traditional condensing units



LBP

MODEL NUMBER	REFRIGERATION OUTPUT 32° amb., 10K superheating, 3K subcooling Evaporation temperature (°C):						REFRIG. OUTPUT EN13215 Evap. T -35°C		Aco. P db(A)**	Air flow m ³ /h	Liq. Rec. Vol.	Diam. for tubing O.D.		Net/ Gross weight kg	No. Dim	Voltage code
	-35°	-30°	-25°	-20°	-15°	-10°	Perf. (W)	COP (W/W)				Suc.	Liqu. Line			
AE2410UB-FZ	105	146	194	250	314	387	123	0.72	29	340	na	1/4"	1/4"	17/19	M200	2.5
AE2415UB-FZ	162	221	287	361	441	530	191	0.85	29	340	na	3/8"	1/4"	17/19	M200	3.1
AE2420UB-FZ	240	310	390	480	581	693	283	0.97	29	410	na	3/8"	1/4"	17/19	M200	3.9

*na: not applicable - see dimensions page 13 / ** acoustic pressure, 10m free field

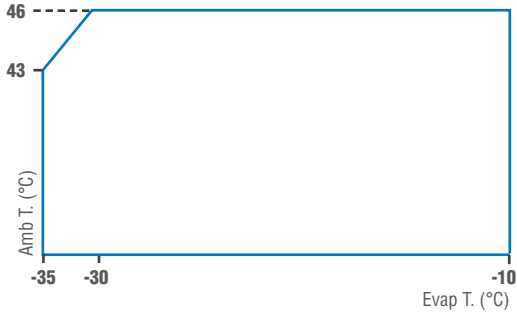
HBP

MODEL NUMBER	REFRIGERATION OUTPUT 32° amb., 10K superheating, 3K subcooling Evaporation temperature (°C):							REFRIG. OUTPUT EN13215 Evap. T -10°C		Aco. P db(A)**	Air flow m ³ /h	Liq. Rec. Vol.	Diam. for tubing O.D.		Net/ Gross weight kg	No. Dim	Voltage code
	-25°	-15°	-10°	-5°	0°	5°	15°	Perf. (W)	COP (W/W)				Suc.	Liqu. Line			
AE4425UH-FZ	162	269	332	399	483	572	783	359	1.54	30	340	na	3/8"	1/4"	17/19	M200	2.4
AE4430UH-FZ	198	331	414	504	617	734	984	447	1.70	29	410	na	3/8"	1/4"	18/19	M200	2.8
AE4440UH-FZ	277	440	537	636	762	891	1190	580	1.47	38	800	na	3/8"	1/4"	19/21	M250	3.9
AE4450UH-FZ	372	570	686	805	957	1115	1495	744	1.48	38	980	na	3/8"	1/4"	20/21	M250	5.0
AE4460UH-FZ	359	592	727	864	1036	1215	1655	789	1.38	40	980	na	3/8"	1/4"	20/21	M250	5.7

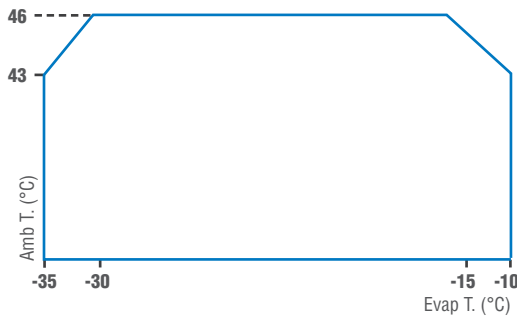
*na: not applicable - see dimensions page 13 / ** acoustic pressure, 10m free field

APPLICATION WINDOWS

LBP R290

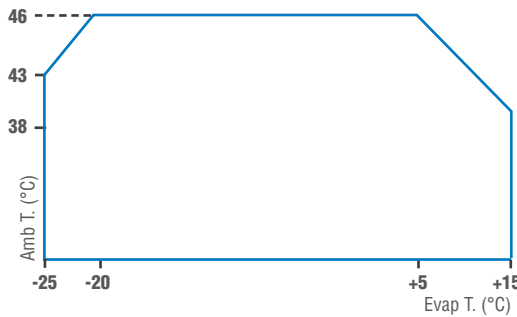


MODEL NUMBER
AE 2410 UB

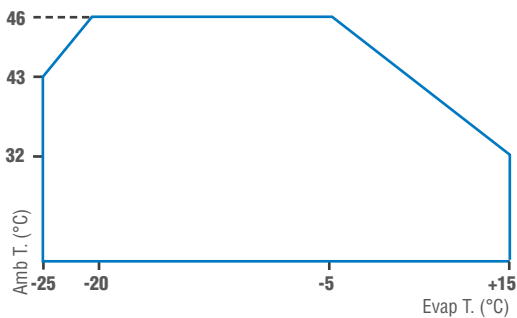


MODEL NUMBER
AE 2415 UB
AE 2420 UB

MHBP R290

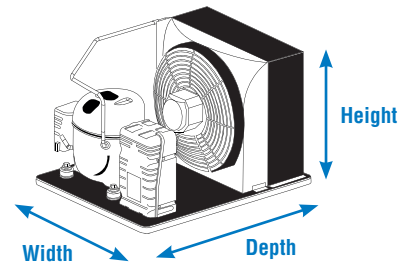
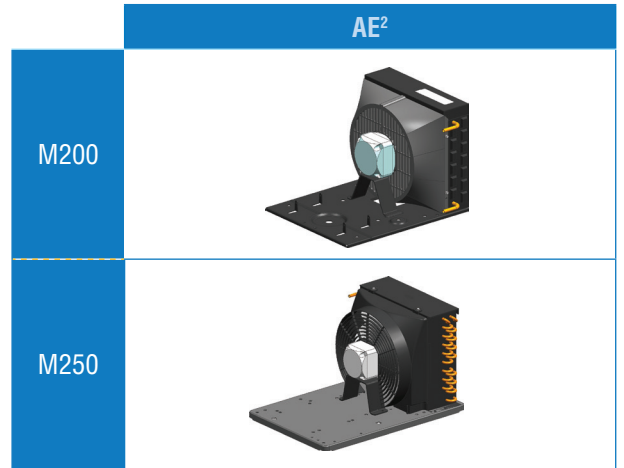


MODEL NUMBER
AE 4425 UH
AE 4430 UH
AE 4440 UH



MODEL NUMBER
AE 4450 UH
AE 4460 UH

DIMENSIONS



LBP R290

MODEL NUMBER	Width	Height	Depth	Base
AE2410UB	300	227	374	M200
AE2415UB	300	227	374	M200
AE2420UB	322	257	404	M200

MHBP R290

MODEL NUMBER	Width	Height	Depth	Base
AE4425UH	300	227	374	M200
AE4430UH	322	257	404	M200
AE4440UH	334	300	485	M250
AE4450UH	334	300	485	M250
AE4460UH	334	300	485	M250

TOOLS

COMPLETE AND EFFECTIVE SELECTION SOFTWARE

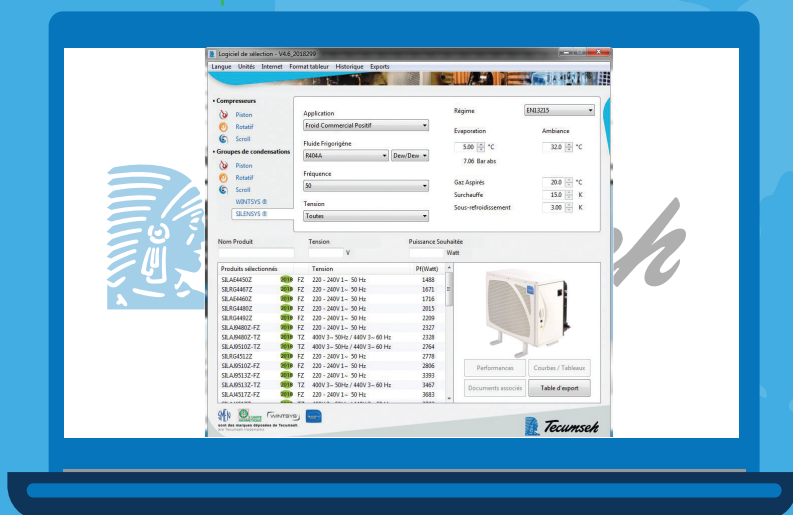
- ▶ **Selection of the compressor and/or condensing unit** according to several parameters: cooling capacity, voltage, refrigerant, compressor technology, and according to different modes governed by standards: EN, ARI, CECOMAF etc. or customised conditions (operating pressure, gas return, useful superheating, subcooling, etc.)
- ▶ **Performance data and polynomials** for refrigerants R452A, R448A/R449A, R134a, R513A, R1234yf and R290
- ▶ Selection of the model according to the **dew temperature or mean temperature**
- ▶ Notification of **new models**
- ▶ **Obsolete models** identified in a specific tab
- ▶ Access to the **documentation** available: technical sheets, acoustic spectrum, electrical drawings, layout, installation instructions, 3D model
- ▶ **Export to Excel and Open Office** eases the use of data.
- ▶ **Automatic update**
- ▶ Available in **7 languages**
- ▶ **Network installation** possible



VERSION 4.5 - May 2019

Download the selection software now, available on the website: www.tecumseh.com

SELECT



THE CROSS REF SOFTWARE

An ergonomic and functional tool allowing you to **determine the equivalent Tecumseh compressor from a competitor reference.**

An obsolete refrigerant? A Tecumseh model to replace that of a competitor? The Cross Ref software is here to help.

FOLLOW US



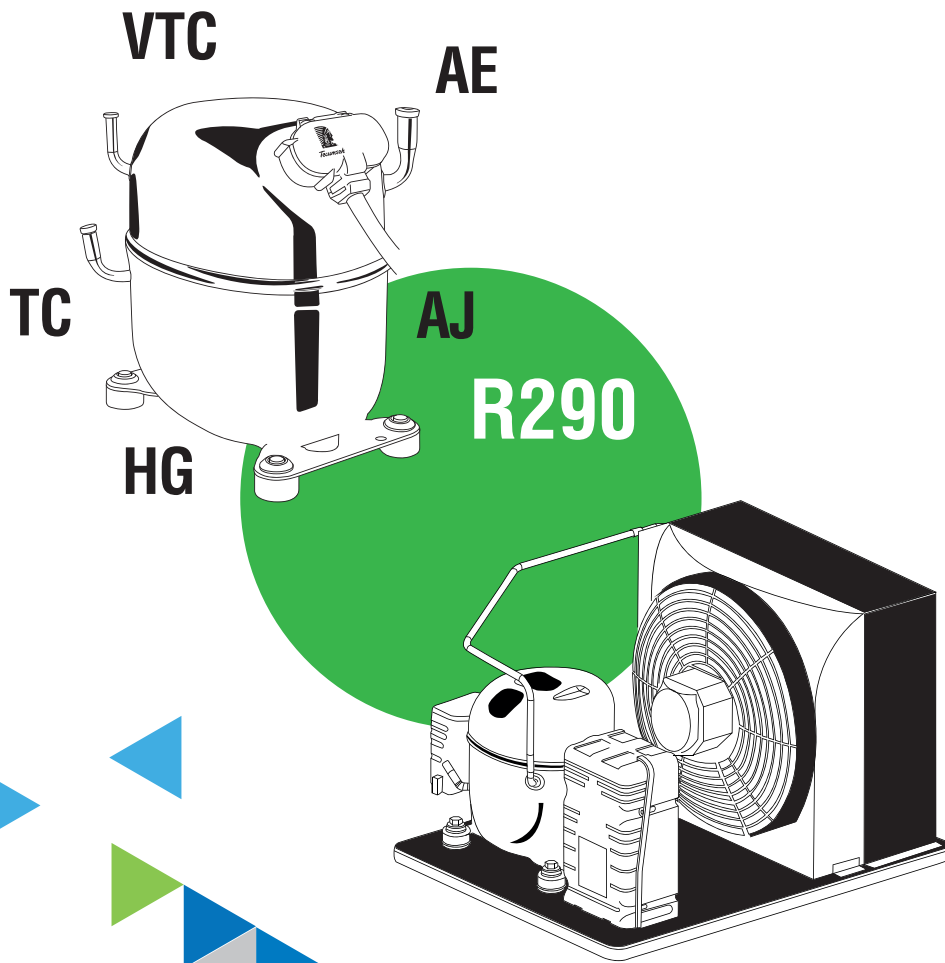
REPLACE



<https://www.tecumseh.com/fr/Europe/Cross-Reference-Tool>



Tecumseh



NWDC329